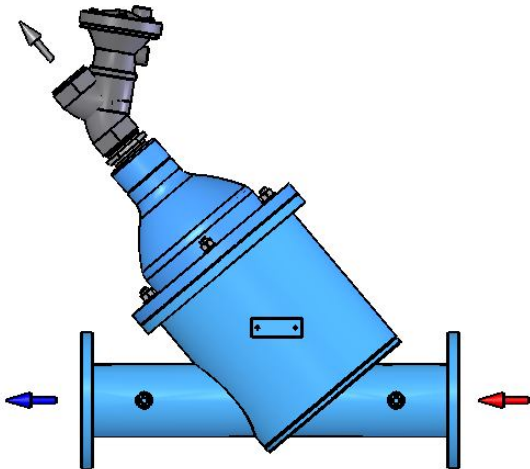
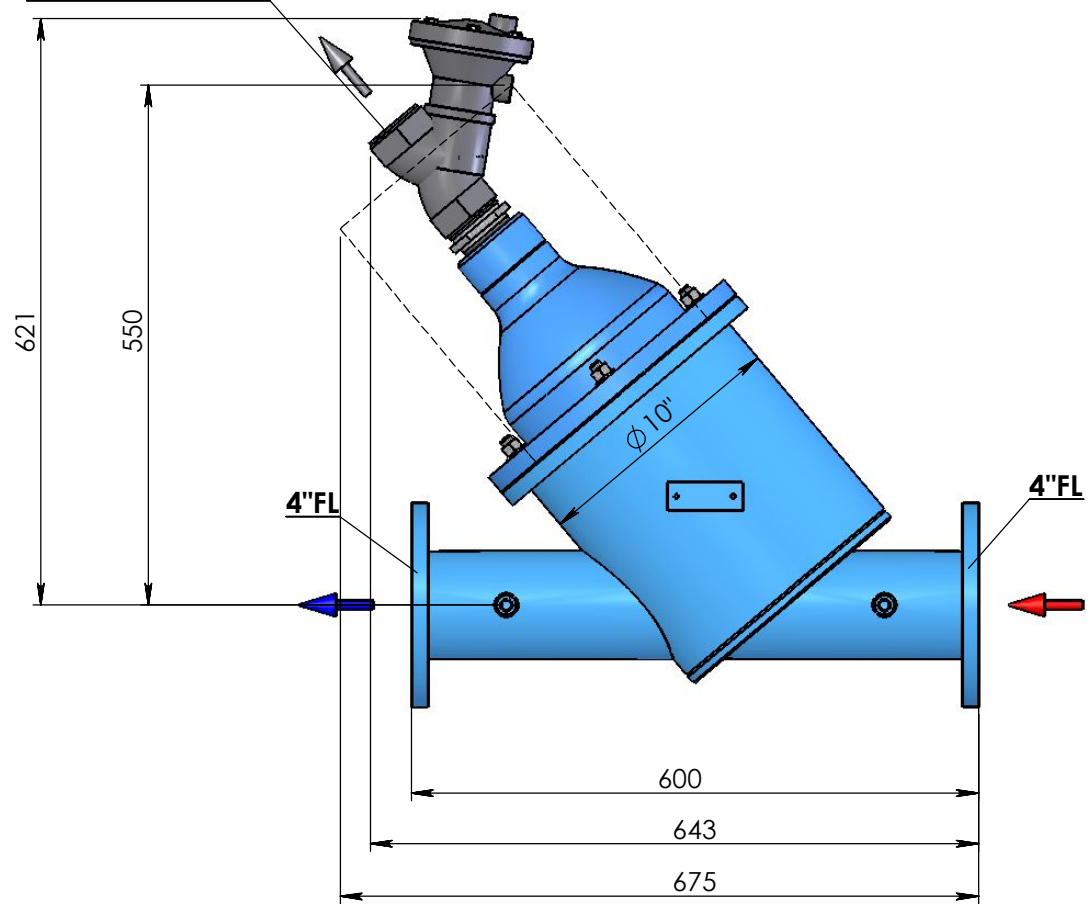


FLUSHING VALVE
2" SOCKET



TEL- 972 4 6220006
E-mail: YAMIT@YAMIT-F.COM

CATALOG No		AF70-04
PRODUCT NAME		
COARSE SCREEN FILTER AF70-04		
DWG. No	AF70-04	A4
DIM: mm	SCALE: 1:8	